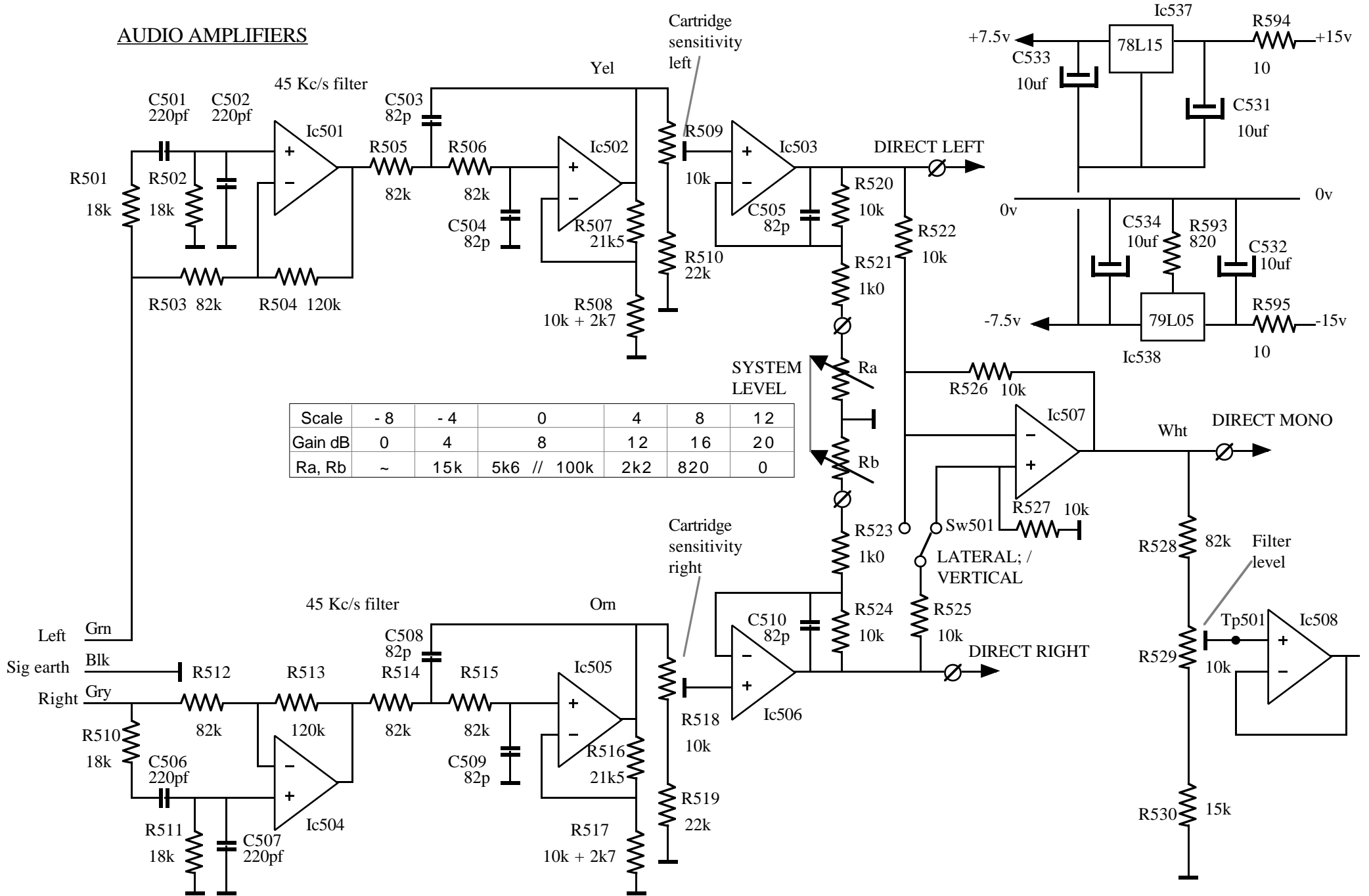
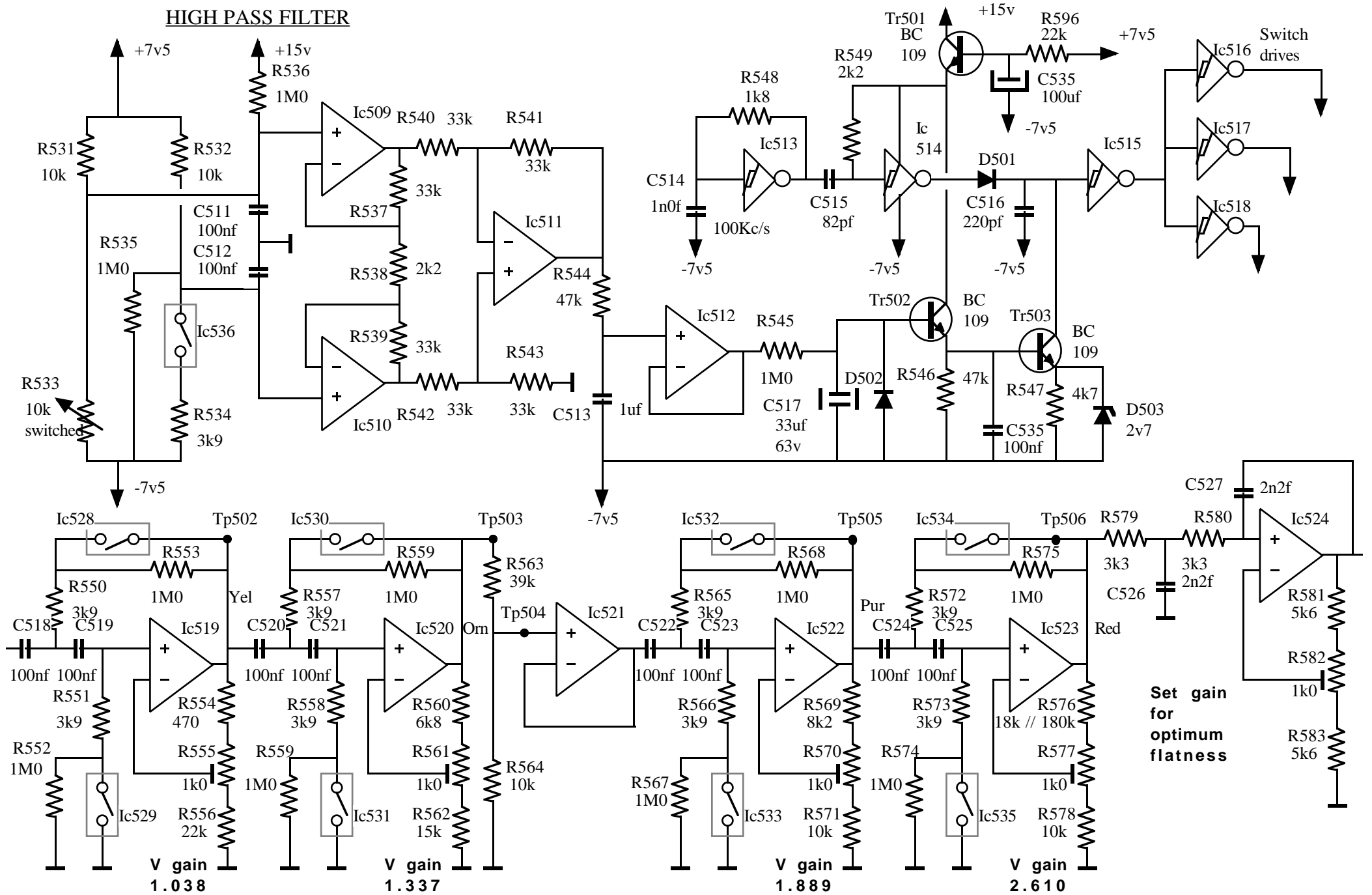


AUDIO AMPLIFIERS

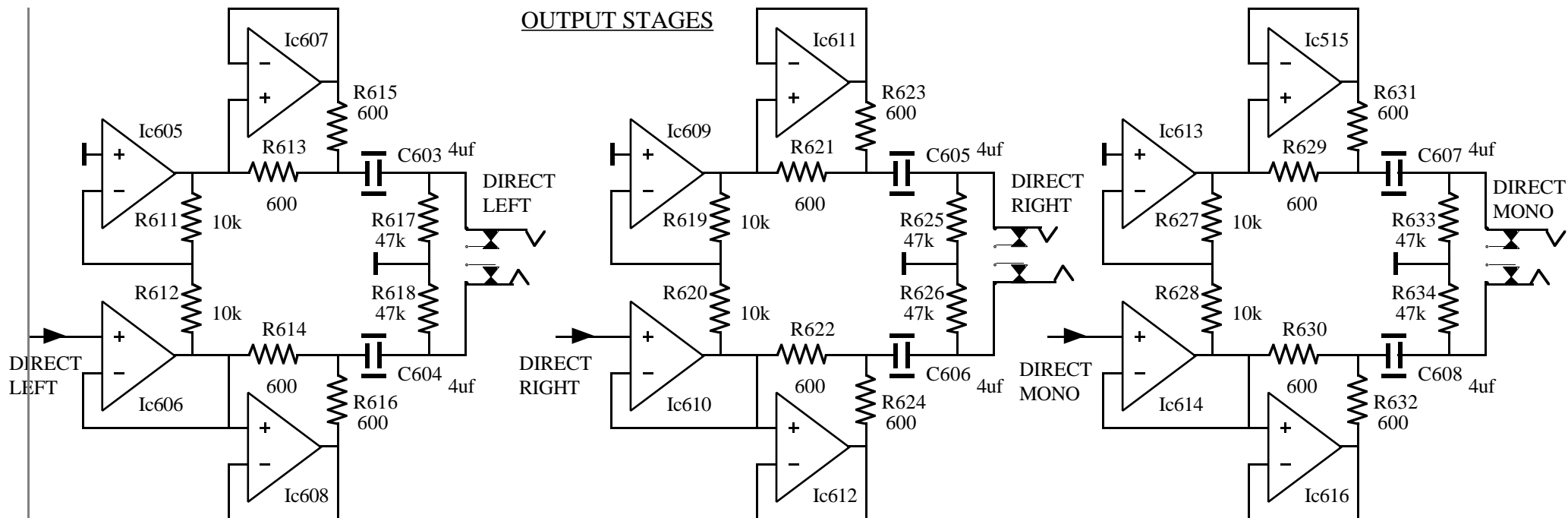


Scale	- 8	- 4	0	4	8	12
Gain dB	0	4	8	12	16	20
Ra, Rb	~	15k	5k6 // 100k	2k2	820	0

HIGH PASS FILTER



OUTPUT STAGES



EQUALISATION

